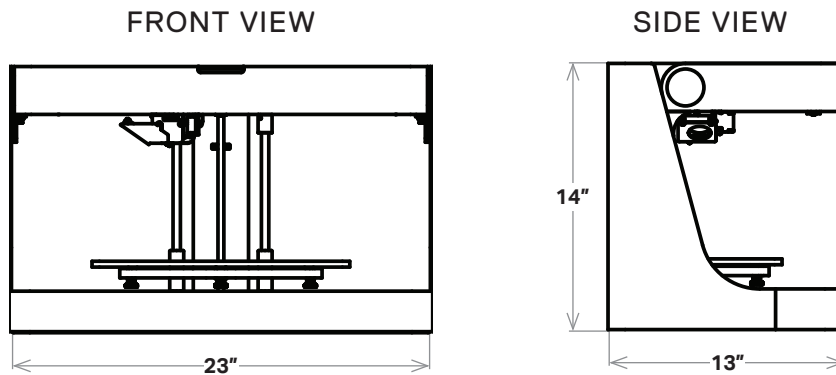


PRODUCT SPECIFICATIONS

Onyx One (Gen 2)

Built on the same platform as our award-winning Mark Two, the Onyx One is designed from the ground up for quality and reliability in a form factor that fits on your desktop. Onyx parts are twice as strong as conventional printing plastics.

| | | |
|---------------------------|---------------------------|---|
| Printer Properties | Process | Fused filament fabrication |
| | Build Volume | 320 x 132 x 154 mm (12.6 x 5.2 x 6 in) |
| | Weight | 15 kg (34 lbs) |
| | Machine Footprint | 584 x 330 x 355 mm (23 x 13 x 14 in) |
| | Print Bed | Kinematic coupling — flat to within 160 μ m |
| | Extrusion System | Second-generation extruder, out-of-plastic detection |
| | Power | 100–240 VAC, 150 W (2 A peak) |
| | RF Module | Operating Band 2.4 GHz Wi-Fi Standards 802.11 b/g/n |
| Materials | Plastics Available | Onyx |
| | Fibers Available | None |
| | Tensile Strength | 37 MPa (1.25x ABS) * |
| | Tensile Modulus | 2.4 GPa (1.1x ABS) * |
| Part Properties | Layer Height | 100 μ m default, 200 μ m maximum |
| | Infill | Closed cell infill: multiple geometries available |
| Software | Supplied Software | Eiger Cloud (Other options available at cost) |
| | Security | Two-factor authentication, org admin access, single sign-on |



* Onyx data. **Note:** All specifications are approximate and subject to change without notice.